



SmartRooms



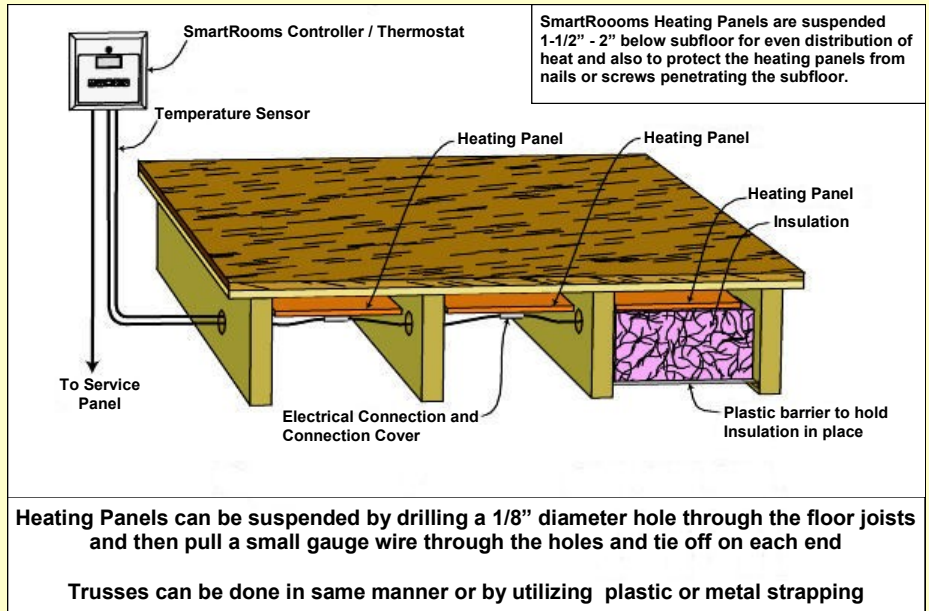
Warmth from below

SmartFloors Floor Joist Heating

*The difference between heat and comfort
With GREEN products from Therma-Ray USA*

Benefits

- Installs under existing floors
- Doesn't raise floor height
- Not part of the wear surface
- Best Warranty in the industry
- More Accessible
- More heat per square foot
- Less trades involved
- Easy Installation
- Energy Efficient
- No Maintenance
- Can be installed under most floor coverings



SmartRooms



"We Love our warm floors and we especially like that we can change the covering anytime we want and wont lose the heating system"

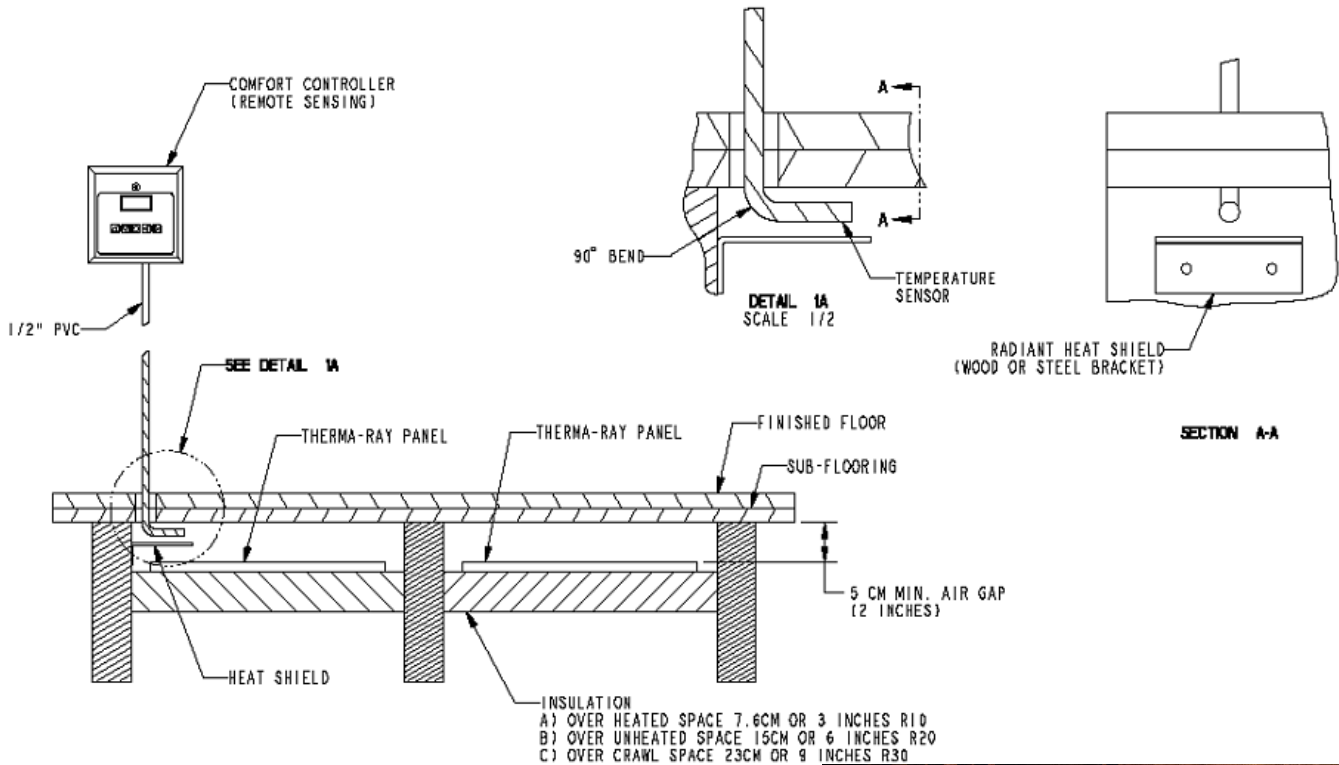


SmartNews



New Construction - Renovation - Retro Fit

Floor Joist Heating



Rebates and Programs available from Electric Providers in many areas.

The Therma-Ray Electric Radiant course is approved by the US Green Building Council (USGBC) and the American Institute of Architects (AIA)



Warm any existing space from below

For More Information:

Therma-Ray USA
(800) 506-7973
www.thermaray-usa.com
info@thermaray-usa.com